

Phantom 30

Large Format Transparent LED Display
PixelPerfect Video and Graphics

G-LEC
Visual
Technology #

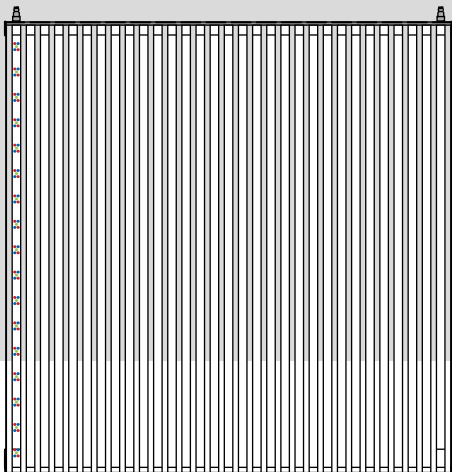


Photo: Manfred Vogel



Photo: Ralph@larmann.com

Transparent to light, audio and wind



Nothing but plastic tubes,
a thin frame and transparency



Facts

- Daylight use even in bright sunshine
- High resolution, high transparency
- Most transparent LED video system available
- Transparent to light, audio and wind
- Powerful LEDs for indoor or outdoor use
- Very lightweight, easy to hang and transport
- Fast and easy to assemble with patented QuickLock frames
- Video can be shown on a single screen or separate clusters of screens
- Accepts DVI-D video from any professional media server

Applications

- Indoor and outdoor staged events
- Television shows and awards ceremonies
- Corporate events, exhibitions and presentations
- Can be flown and mounted on trucks
- Can be integrated into scenery
- Any video, graphic or still content depending on server supplied by customer
- Phantom® 30 can mix and match with Phantom® 60, connecting frames together regardless of resolution

Overview

The Phantom 30 consists of a number of 1m² aluminium frames carrying the display pixels. The frames are powered externally by power supply units that can be located separately from the frames. Control is from a Drive Box that is configured by a PC or laptop with configuration software. Content and external media server are supplied by the client.

Display

Each 1m x 1m frame carries 32 translucent polycarbonate tubes, each holding 32 ultrabright LED pixels at a pitch of 30mm. Each frame may be connected to other frames, using the patented QuickLock system, or fixed separately.

S-Drive

The Drive Box transmits video and control data to the frames via fibre optic cables. The configuration PC or laptop is not required during the operation of the system.

Speed

The DVI input is transmitted to the configured display positions at full video speed via fibre optic cables which are daisy-chained between frames.

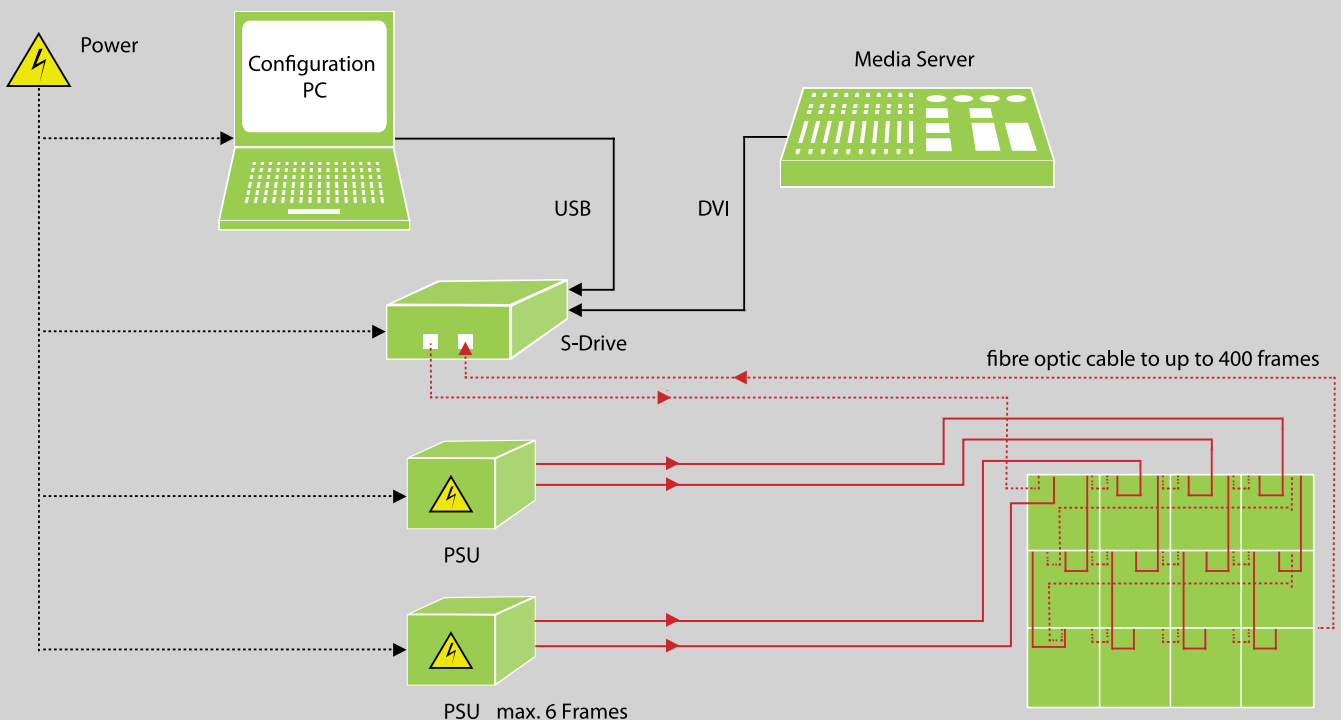
Reliability

Because G-LEC display equipment is used daily in the demanding conditions found on stages and in studios around the world, the technology, both hardware and software, is designed to be hardwearing and robust. G-LEC uses high specification cables, connectors and electronic and mechanical components to ensure the reliability needed for large live performances.

Customised Solutions

The Phantom system is optimized for touring and rental applications, however G-LEC prides itself on a flexible use of the technology to provide customised solutions to even the most difficult design demands. Increasingly specified for architectural and fixed installation projects, the technology can be designed to easily blend into any indoor or outdoor application.

System Diagram



Technical Specifications

Transparency	Visual, audio and wind 60%		
Config. Dimensions	Eachs frame:	0.96 x 0.96m	0.92 m ²
Tube Diameter	12mm		
Weight	Eachs frame:	8kg	
	Per area	8.5kg / m ²	
Pixel pitch	30mm		
Resolution		1024 pixel / frame	1111 pixel / m ²
Luminance	6220 nits (cd/m ²)		
Pixel luminous intensity	3 LED Pixel (RGB) 5600 mcd		
Colors	16 million, 24 bit full color		
Angle of viewing	50% brightness:	110° horizontal / 50° vertical	
Viewing Distance	Recommended minimum to view graphics: low resolution: 4m, good resolution: 20m		
Cabling & Voltage	Internal cables: Multimode fibre optics 50/125µ SC-SC connector Speakon for 48 V DC power HAN for power multicore External connectors: Powercon DVI-D connector 24 +1 USB-B socket for control		
Power consumption	420W per frame		
Video Input	DVI-D		
Refresh rate	300Hz		
Configuration	Any frame can be defined to be at any position on a virtual plane, defined by the configuration software.		
S-Drive	DVI In and amplified DVI Out for Drive Box daisy-chain connection USB interface		

Class A This is an ITE Class A product. In a domestic environment this product may cause radio interference in which case the user may be required to take adequate measures. Not for use in residential areas!

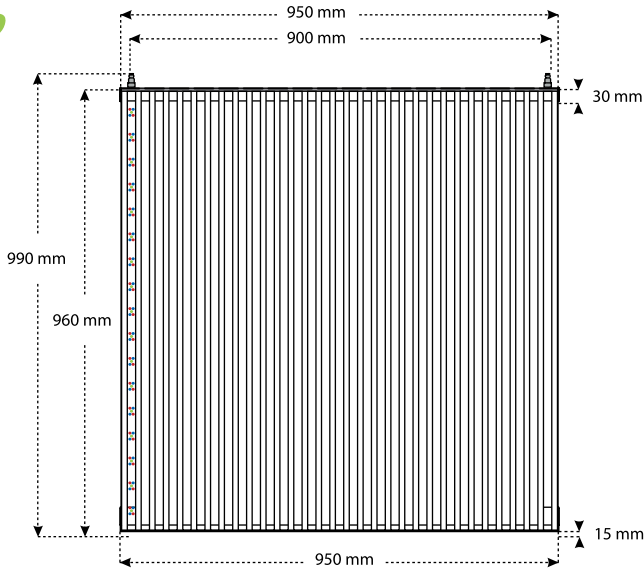
Environmental

Phantom 30 is designed for use indoors and outdoors. With prolonged outdoor use, there may be UV and IP considerations. Please contact G-LEC for information on outdoor ruggedization.

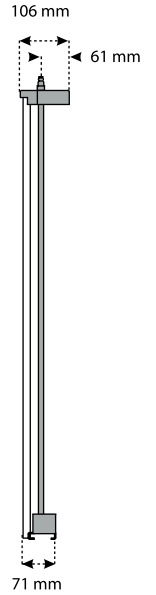
Frame	Operating temp.:	-25°C to 70°C
	Tube material:	polycarbonate
	Electronics housed inside frames and tubes	
	No fan	
	Ingress protection:	IP32
S-Drive	Clean equipment area	
	Ambient air temp.:	0°C to 40°C
Humidity	5-95%, non-condensing	

Phantom 30

front view



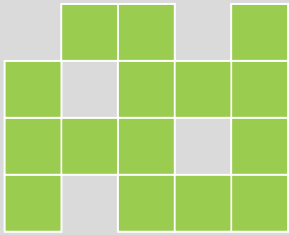
side view



top view



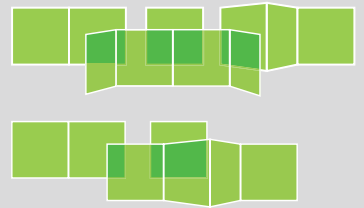
The **Phantom System** consists of two or more frames and...



can be used like a screen or...



moved like curtains or...



... built from 3D objects



Head Office G-LEC Vision GmbH

Tel: +49 (0) 7248 92740-00 info@g-lec.com